

Product: ?

Quantity: ?

Product Colour



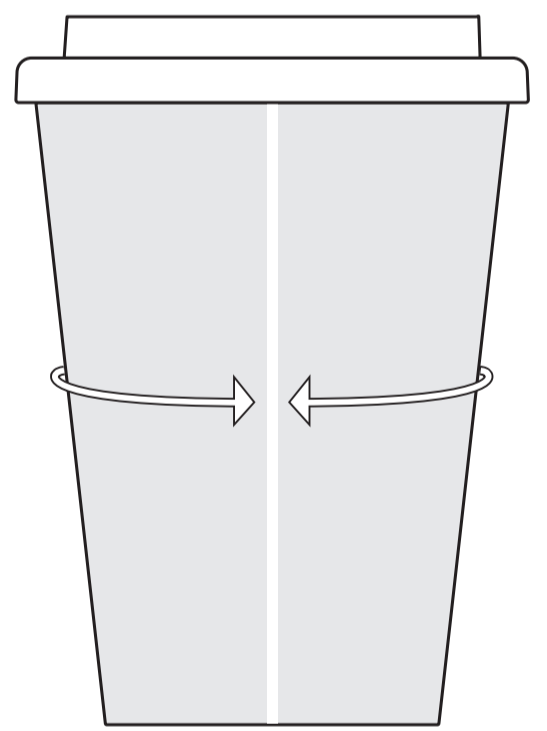
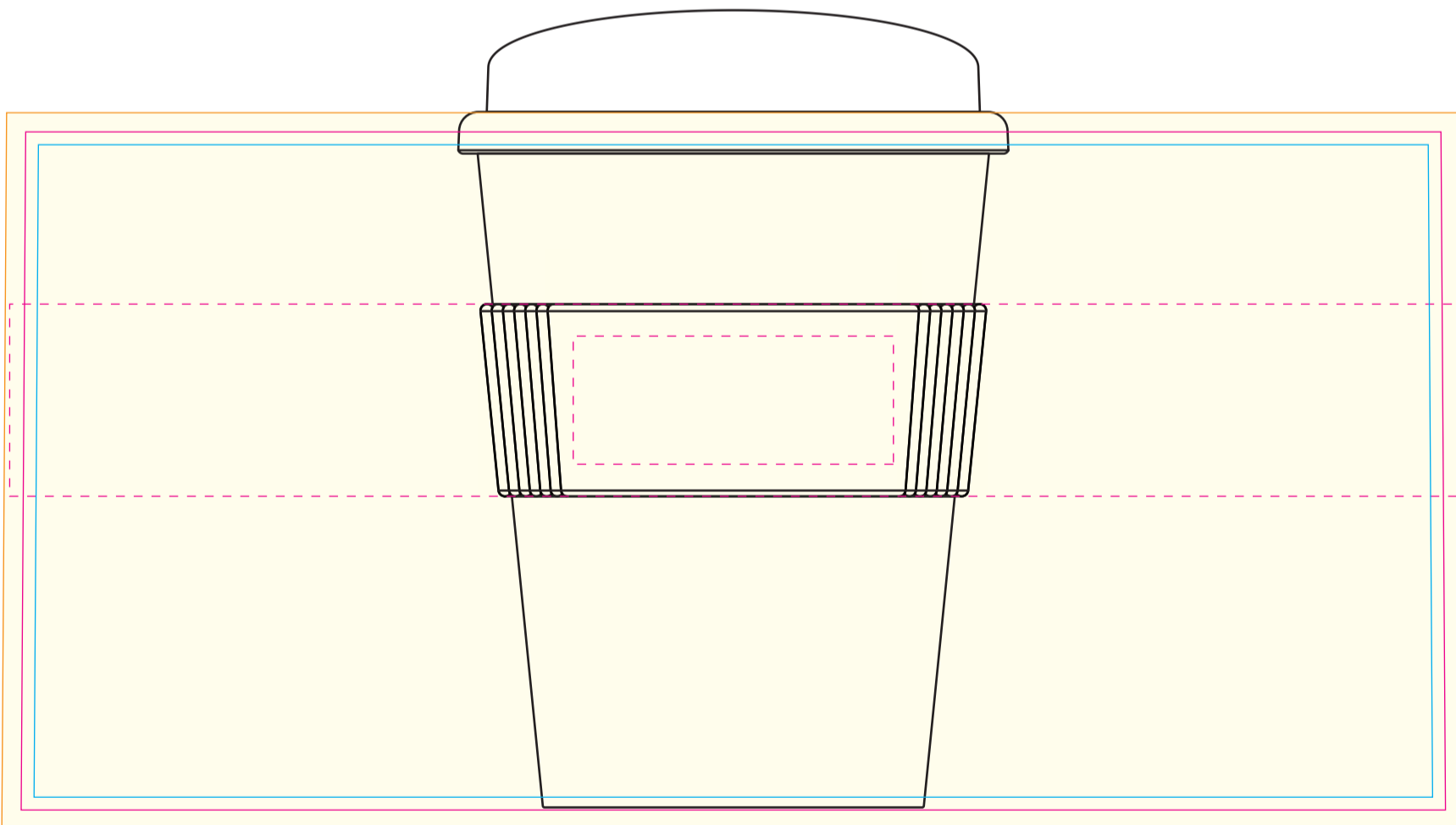
Print Colour



DR1514 - Brite-Americano Medio Mug

Product Dimension(mm): 86dia x 124

<p>Minimum Print Restrictions (Grip)</p> <p>Line thickness (0.3mm) </p> <p>Reversed Line (0.3mm) </p> <p>Text (6pt) </p> <p>Reversed Text (10pt) </p> <p><small>Any lines or text below these restrictions will result in a loss of detail when printed</small></p>	<p>Minimum Print Restrictions (Mug)</p> <p>Line thickness (0.2mm) </p> <p>Reversed Line (0.2mm) </p> <p>Text (3pt) </p> <p>Reversed Text (4pt) </p> <p><small>Any lines or text below these restrictions will result in a loss of detail when printed</small></p>	<p>Actual Artwork Size(s):</p> <p>Mug = -----</p> <p>Grip = -----</p>	<p>Please read carefully:</p> <p>Yellow tint is to show the effect of the lamination process. Please note 'white' will not be 'pure brilliant white'</p>
--	--	--	---



Available Print Area(s):

- Max Print Area (Grip) = 50x20mm
- Bleed Boundary (Mug) = 228x111mm
- Max Print Area (Mug) = 222x105mm
- Text limit (Mug) = 218x101mm

Notes For Artroom:

- **IMPORTANT:** Print colours available on the grip are:- Black, White, Silver, Cool Grey 6, Orange 021, Yellow 123 Green 355, Red 485, Blue 300, Reflex Blue and Purple 266
- Only 1 Colour Print Is Available On The Grip
- To Step and Repeat Mug Artwork Onto Curved Guides = -137mm

Visual - Not a proof

This visual illustrates how your artwork may look on our products and is not representative of colour or size, unless otherwise stated.

When an order is placed an artwork proof will be produced for your approval.

Contact our sales team to place an order

0330 043 18 08
 sales@fyldepdm.co.uk
 www.fyldepdm.co.uk